



SureFire PDI

Centralized Lubricating System



Featuring

- SureFire PDI Automatic Lubricator
- ZEM Injectors
- Fittings
- Accessories



Protect expensive machinery with precise lubrication

SureFire PDI helps lubricate many industrial applications:

- *Machine tools*
- *Mobile*
- *Automotive*
- *Printing*
- *Packaging*
- *Injection molding*

Whether you work with machine tools, printing equipment or any kind of machinery, you need to maintain a constant level of lubrication to keep things running smoothly. Reduce wear and tear. And extend equipment life. With multiple lubrication points, it can be a difficult task.

A positive displacement injector (PDI) system from Bijur is the perfect solution that gives you the ability to apply a precise amount of lubricant exactly where it is needed—to lubrication points and bearings. A major benefit of a PDI system is that points can easily be added to or removed from an existing system, depending on your lubrication requirements. And since Bijur develops systems, as well as individual parts, you will know everything works together smoothly, improving your productivity and reducing lubrication costs.

The Bijur SureFire PDI centralized lubrication system is a reliable PDI system that consists of four basic elements:

- **SureFire PDI lubricator pump** – stores and pumps lubricant
- **ZEM Series injector** – discharges a fixed volume of lubricant
- **Standard compression fittings** – lets you connect tubing, injectors and the lubricator
- **Optional push-to-connect fittings** – allows you to easily install or change tubing without using tools

Each part of the SureFire PDI centralized lubrication system is an important piece of the lubrication puzzle.

SureFire PDI lubricator

The SureFire PDI lubricator provides the central source of oil or fluid grease for the centralized lubrication system. It includes a reservoir to store the lubricant and a pump that pressurizes the lubricant through the system.

Fittings

The SureFire PDI system is compatible with traditional compression fittings or new push-to-connect fittings, that let you easily install and change tubing without using tools.

There is also an extensive accessory catalog available to support the SureFire PDI centralized lubrication system. Everything from tubing and junctions to adapters and connection hardware can be ordered with the SureFire PDI system, or ordered from Bijur representatives when the need arises.



Note!

SureFire lubricator is also available for use with Single Line Resistance (SLR) applications. Contact us today to find out more!

SureFire PDI Lubricator



SureFire PDI single phase

The heart of the SureFire PDI centralized lubrication system is the robust and durable SureFire PDI lubricator, capable of handling oil and fluid greases. Available in four reservoir capacities to fit your space requirements and lubrication demands, the SureFire PDI lubricator is a self-contained electric motor-driven gear pump that can adapt to a broad range of production machinery. It can handle single injectors or injector groups serving up to 100 lubrication points. Its versatility also allows it to perform with other lubrication systems and applications.

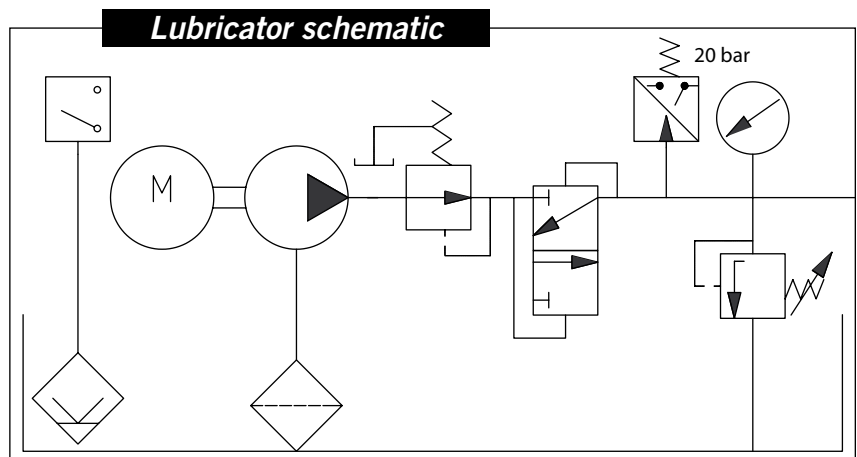
Benefits of SureFire PDI

The SureFire PDI lubricator is designed with the user in mind. It has a unique and flexible modular construction that makes it user-friendly.

- Multiple voltage options:
 - **Single phase:** 115VAC, 230VAC, 24VDC
 - **Three phase:** 230/480VAC
- Outlet connections on both sides facilitate quick installations
- Quick-snap reservoir release clips let you quickly remove the unit for service and provide easy access for servicing and replacement of key components
- Large fill cap and built-in strainer allows for faster filling and fewer spills
- Liquid level, pressure switch (single phase only), pressure relief valve and pressure gauge included
- Cast base and sealed electric motor enclosure protect working components from contamination



SureFire PDI three phase

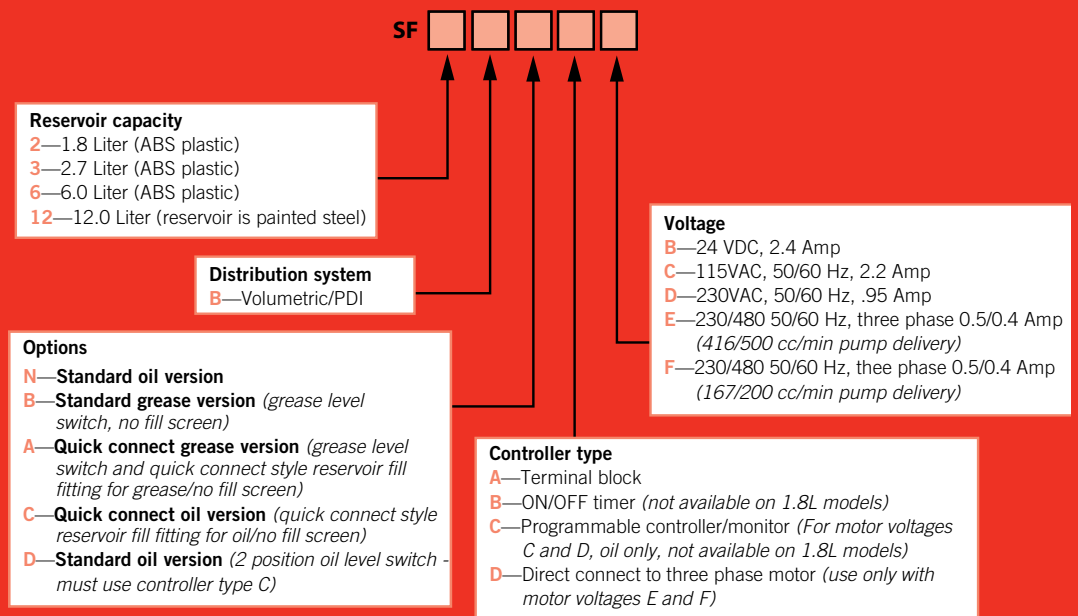


For long distance applications, the pressure switch (single phase models) is located at the end of the line, to account for potential pressure drops.

HOW TO ORDER

The SureFire PDI lubricator features a smart part number ordering system, where you can tailor the pump to meet your needs. First, choose the reservoir capacity, distribution system, pump options, controller type and voltage you need. Then, put the numbers into the corresponding squares in the easy-to-use grid. You now have the customized part number.

Example: To order a 1.8L reservoir with a volumetric/PDI distribution system, no options, terminal block controller and a 115VAC motor, you would use part number SF2BNAC.



Standard versions include: float type reservoir low level switch, standard reservoir fill-cap screen, quick dump valve for PDI's, 450psi pressure relief valve.

How it works

As the motorized gear pump pulls lubricant in from the reservoir and delivers lubricant to the distribution system, the PDIs in the system discharge a fixed amount of lubricant to the lubrication points. After the injectors are fired, the pressure in the network continues to rise until the limit in the pressure switch is reached. Once the limit is reached, the pressure switch signals the motor to stop. When the momentary pressure in the distribution network becomes greater than the gear pump pressure, the pressure differential actuates a quick release valve which relieves the distribution line pressure back into the reservoir. This causes each PDI in the distribution network to reset and refill for the next cycle.

Technical specifications

Delivery volume (115VAC, 230VAC)	200cc/min @ 60 Hz; 167cc/min @ 50 Hz
Delivery volume (24VDC)	250cc/min
Delivery volume (three phase)	200 or 500cc/min @ 60 Hz; 167 or 416cc/min @ 50 Hz
Output pressure (max.)	31 bar (450 psi) max.
Pressure switch setting ¹	Closes at 20 ±0.3 bar (290 ±5 psi)
Oil viscosity range	20 to 1500 cSt at operating temperature
Fluid greases ²	NLGI 000, NLGI 00 (40,000 cSt max)
Reservoir inlet filter (oil version)	40 mesh screen
Reservoir capacities	1.8 Liter, 2.7 Liter, 6.0 Liter, 12.0 Liter
Electric motor options	115VAC, 230VAC, 24VDC, 50/60 Hz (single phase) 230/480VAC, 50/60 Hz (three phase)
Motor power requirements ³	Approximately 140W
Operating temp. range	+5°C through +40°C (41°F through 104°F)
IP rating	IP-54
Electrical fitting	Liquid tight
Output connection	G 1/4 BSPP
Single (main) feed line	6mm OD minimum recommended

¹ Pressure switch standard on single phase models. Not available on three phase models.

² Please contact a Bijur representative for applications using fluid grease.

³ Only applies to SureFire PDI single phase models.



Important!

The electrical circuit for the level switch for oil must not exceed 10 watts.

ZEM Series Injectors

The ZEM Series injectors are positive displacement injectors (PDIs) that deliver precise and controlled lubrication outputs, meeting exact requirements for diverse applications. They are pre-fixed volumetric injectors that ensure each lubrication point receives the proper amount of lubricant. Which means you won't have to worry about over or under lubrication.

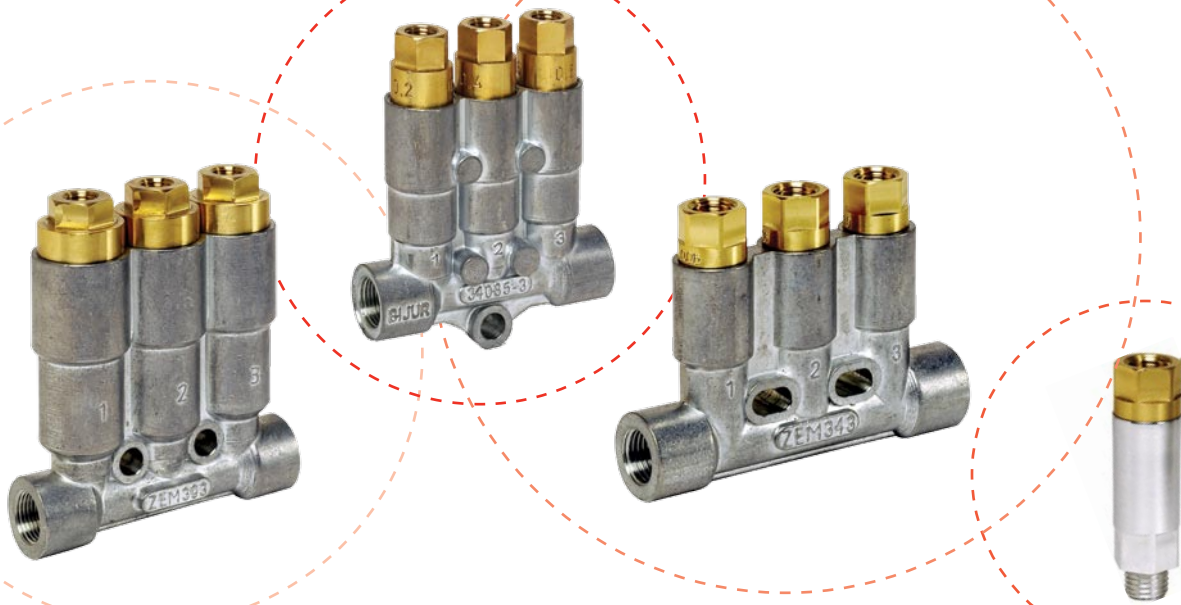
Benefits of ZEM Series injectors

ZEM Series injectors are built to effectively function with the SureFire PDI lubricator, as well as other pumps that can support a PDI system.

- Handles oil and fluid greases
- Injector endcaps that can be quickly replaced within a manifold to change discharge settings
- Ten output volumes available for diverse application types and points (0.01cc/cycle to 1.5cc/cycle)
- Flexible design allows you to choose from output volumes for each outlet
- Can be used in the same system with other ZEM Series injectors
- Optional push-to-connect fittings help lower installation labor costs

ZEM injectors at a glance

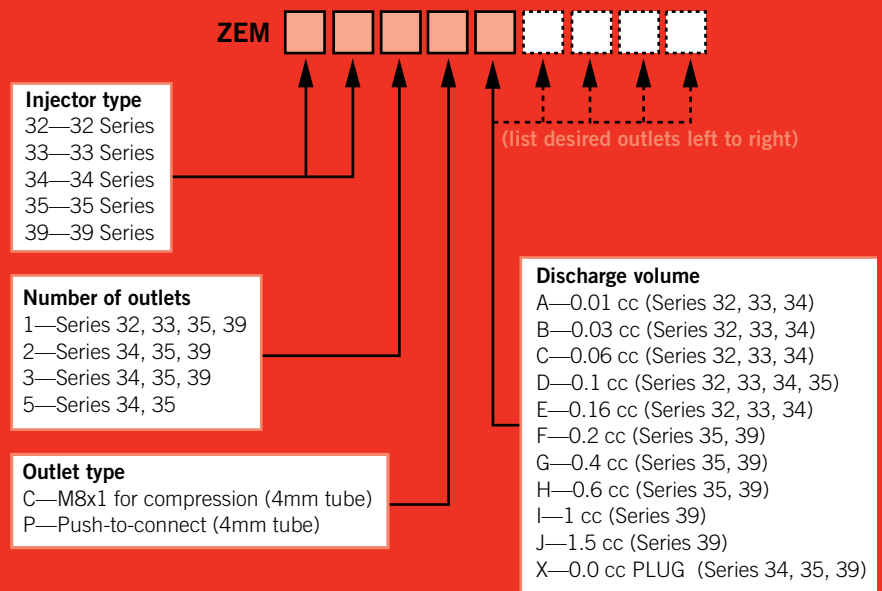
Series 32	
Description	Screw-in injector (requires manifold bar)
Discharge volumes (cc)	0.01, 0.03, 0.06, 0.1, 0.16
Series 33	
Description	Screw-in injector (requires manifold bar)
Discharge volumes (cc)	0.01, 0.03, 0.06, 0.1, 0.16
Series 34	
Description	Built-in cast manifold construction
Discharge volumes (cc)	0.01, 0.03, 0.06, 0.1, 0.16
Series 35	
Description	Built-in cast manifold construction
Discharge volumes (cc)	0.1, 0.2, 0.4, 0.6
Series 39	
Description	Built-in cast manifold construction
Discharge volumes (cc)	0.2, 0.4, 0.6, 1.0, 1.5



HOW TO ORDER

The ZEM injectors also use a smart part numbering system that allows you to tailor the injector to meet your needs. First, choose the injector type, number of outlets, outlet type and the discharge volume for each outlet. Then, put the numbers into the corresponding squares in the easy-to-use grid below. You now have the customized part number.

Example: To order a three outlet, 35 Series injector, with push-to-connect fittings, where the discharge volumes are 0.1cc, 0.2cc and 0.6cc, you would use part number ZEM353PDFH.



How it works

ZEM Series injectors are classic PDIs. Reliable. Accurate. As pressure builds in the manifold, the piston in the injector fires forward, discharging a set amount of lubricant to the application point.

As the pressure is relieved, a compression spring returns the piston to its original position. This movement recharges the injector with more lubricant. The injector is now ready to be fired again.

System requirements

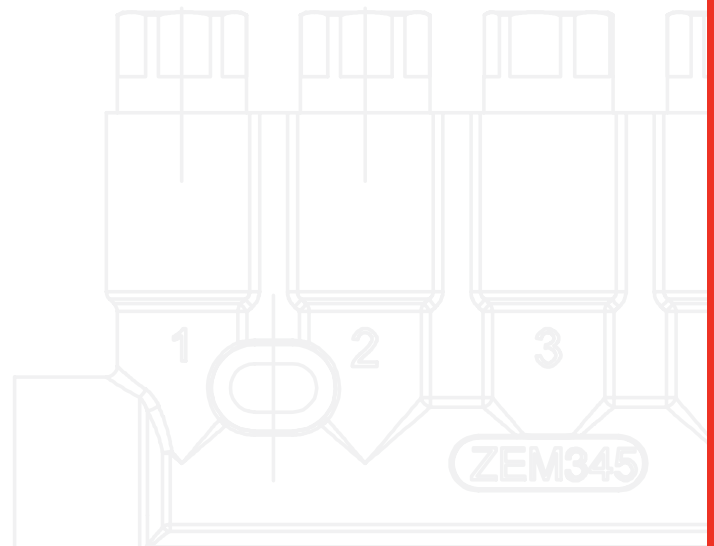
In the event you are not using the SureFire PDI lubricator in conjunction with the ZEM injectors, it is important to note that the lubricating pump used in the PDI system must build up a minimum of 15 bar (220 psi) of pressure at the injector in order to actuate injector discharge. The recommended operating pressure is 20 bar (300 psi).

Also, a pressure relief valve must be used in the system to prevent the pump from exceeding a set pressure. The control (dump) valve permits the line pressure to drop to allow the injectors to fully recharge before the next lubrication cycle.

Technical specifications

Lubricants	
Oil viscosity range	20 to 1500 cSt at operating temperature
Fluid greases ¹	NLGI 000
Pressure	
Operating maximum	45 bar (650 psi)
Operating minimum	15 bar (220 psi)
Relieving	0.7 bar (11 psi)
Seals	Viton

¹Please contact a Bijur representative for applications using fluid grease.



Replacements & Spare Parts

SureFire PDI lubricators

SureFire PDI model number ▶	SF2Bxxx	SF3Bxxx	SF6Bxxx	SF12Bxxx
Part Description	Part #	Part #	Part #	Part #
Reservoir assembly	34794 ¹	34795 ¹	34796 ¹	35153 ²
Reservoir inlet strainer assembly (w/ screws)	35150	35150	35150	35150
Automotive quick connector assembly, for grease applications (w/ O-ring)	35151	35151	35151	35151
Automotive quick connector assembly, for oil applications (w/ O-ring)	35152	35152	35152	35152
Motor cover, O-ring, screw	34791	34792	34793	34793
Level switch (standard for oil versions), Level switch stem (single-phase)	34797	34797	34798	34798
Level switch for oil (three-phase)	AC-368	AC-368	AC-368-1	AC-368-1
2 position level switch for oil	39161-4793	39161-4793	39161-4793	39161-4793
Level switch for grease	23470	23470	23470	23470
Pressure gauge (single-phase)	23411	23411	23411	23411
Pressure gauge (three-phase)	24541	24541	24541	24541
Pressure switch	23472	23472	23472	23472
On-Off timer (optional)	35074	35074	35074	35074
Motor (24VDC)	27632	27632	27632	27632
Motor (115/230VAC), Motor fan	34876	34876	34876	34876
Motor (230/480VAC three phase), Mounting screws	35159	35159	35159	35159
Electrical connector fitting	34681	34681	34681	34681

¹ O-ring, clasp, clasp plate, clasp plate screws

² Assembly, gasket bolts and washers

ZEM injectors

	Discharge		Kit part number		Kit description	
	Quick connect	Thread connect	Quick connect	Thread connect	Quick connect (Push-to-connect)	Thread connect (Compression)
32, 33, 34 SERIES	0.01	0.01	23332	23353	ZEM 32, 33, 34 replacement kit 0.01cc quick connect	ZEM 32, 33, 34 replacement kit 0.01cc
	0.03	0.03	23333	23354	ZEM 32, 33, 34 replacement kit 0.03cc quick connect	ZEM 32, 33, 34 replacement kit 0.03cc
	0.06	0.06	23334	23355	ZEM 32, 33, 34 replacement kit 0.06cc quick connect	ZEM 32, 33, 34 replacement kit 0.06cc
	0.10	0.10	23335	23356	ZEM 32, 33, 34 replacement kit 0.10cc quick connect	ZEM 32, 33, 34 replacement kit 0.10cc
	0.16	0.16	23336	23357	ZEM 32, 33, 34 replacement kit 0.16cc quick connect	ZEM 32, 33, 34 replacement kit 0.16cc
	0.00	0.00	23388	23388	ZEM 32, 33, 34 replacement kit 0.00cc quick connect (plug)	ZEM 32, 33, 34 replacement kit 0.00cc (plug)
35 SERIES	0.10	0.10	23342	23363	ZEM 35 replacement kit 0.1cc quick connect	ZEM 35 replacement kit 0.1cc
	0.20	0.20	23343	23364	ZEM 35 replacement kit 0.2cc quick connect	ZEM 35 replacement kit 0.2cc
	0.40	0.40	23344	23365	ZEM 35 replacement kit 0.4cc quick connect	ZEM 35 replacement kit 0.4cc
	0.60	0.60	23345	23366	ZEM 35 replacement kit 0.6cc quick connect	ZEM 35 replacement kit 0.6cc
	0.00	0.00	23389	23389	ZEM 35 replacement kit 0.00cc quick connect (plug)	ZEM 35 replacement kit 0.00cc (plug)
39 SERIES	0.40	0.20	23347	23367	ZEM 39 replacement kit 0.2cc quick connect	ZEM 39 replacement kit 0.2cc
	0.60	0.40	23348	23368	ZEM 39 replacement kit 0.4cc quick connect	ZEM 39 replacement kit 0.4cc
	1.00	0.60	23349	23369	ZEM 39 replacement kit 0.6cc quick connect	ZEM 39 replacement kit 0.6cc
	1.50	0.00	23350	23390	ZEM 39 replacement kit 1.5cc quick connect	ZEM 39 replacement kit 0.00cc (plug)
	0.00	1.00	23390	23370	ZEM 39 replacement kit 0.00cc quick connect (plug)	ZEM 39 replacement kit 1.0cc
		1.50		23371		ZEM 39 replacement kit 1.5cc

Success Story

“We just plugged in a SureFire PDI and we were off and running.”

Many Machines, One Replacement Lubrication System At GL&V

In May of 2005, maintenance engineer Dave Farr of GL&V USA (Glenn Falls, New York) was searching the Internet for a replacement lubrication pump for one of the company's lathes. He came across a unique automated lubrication system reputed to be exceptionally reliable and readily adaptable to any type or size of industrial machinery. Within seven months he had installed the lubrication system on three machines of different types and sizes with equally satisfying results.

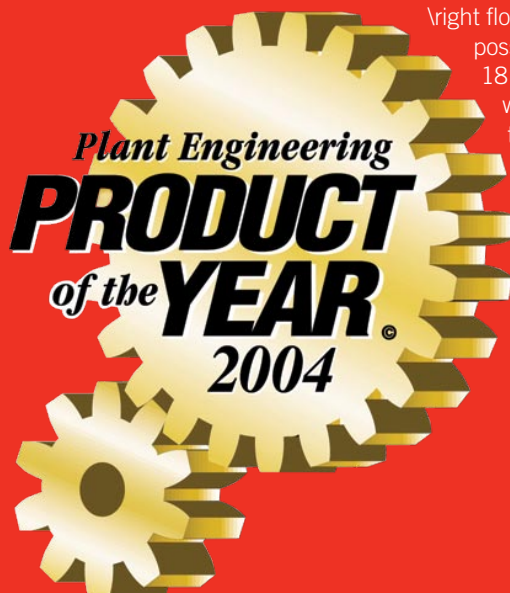
GL&V USA manufactures heavy-duty papermaking equipment. The machine shop is a large one with a wide variety of equipment including mills, bores, lathes, and grinders in many sizes. Farr believes the award-winning Bijur SureFire PDI lubrication system gives him and his team a standardized approach to lubrication that can be quickly adapted to any type of industrial machinery, typically in a matter of minutes. In addition, it is easy to monitor and designed for sustained trouble-free operation.

GL&V has SureFire PDI units on two lathes, a roll grinder and a vertical bore. One of the lathes is a big Skoda machine that was originally installed at a shipyard. It has about a dozen lubrication points. In each case the SureFire PDI lubricator was easy to install. The SureFire PDI system comes with a bracket that allows the unit to be mounted on a flat steel surface. A single lubrication supply line is attached to one of the ports located on either side of the SureFire PDI pump unit and to the distribution manifold. Standard compression fittings or (optional) push-to-connect fittings are used to install tubing from the manifold to ZEM series positive displacement injectors (PDIs). These ensure that exactly the right amount of lubrication is injected at precise user-definable intervals.



A timer in the pump and the ZEM PDI injector help assure that each machine receives exactly the right flow and pressure of lubrication (up to 450 PSI if necessary). A great deal of variability is possible. For example, Farr said that one of his pumps is active for three seconds once every 18 minutes. Another provides six seconds of lubricant pumping every six minutes. “Once we have it set on the right cycle, all we have to do is keep an eye on the lubricant levels in the clear plastic reservoirs and make sure we fill them periodically. You don’t even have to filter the oil because each one has its own filter. They are kind of fool proof.”

GL&V's heavy machine tools are holding up a lot better now with the new SureFire PDI lubrication pumps. Farr said, “The pump I just replaced on the vertical bore was an old fashioned piston pump. It worked off a timer and ran through a distribution block and a special manifold plate. It was a [great] idea for its time, but it was outdated and worn out. There are too many parts that can wear out and go wrong, so rather than fool around with it, we just plugged in a SureFire PDI and we were off and running.”



Fittings

Push-to-connect fittings

The third part of the SureFire PDI system is the fittings. Whether you choose the flexibility of push-to-connect fittings or the traditional route with compression fittings, you can be sure everything works together. Bijur stands behind the quality of its fittings and accessories.

When you need to install or change a piece of tubing, push-to-connect fittings let you do it quickly and easily. Push-to-connect fittings let you remove tubing with a simple click. Then, just push the new tubing into the fitting. The new tubing stays securely in the fitting.



Straight push-to-connect

Specifications: Push-to-connect fittings

Max operating pressure of fitting¹ 24 bar (350 psi) at 20°C (68°F)

Seals Viton

Recommended tubing material Nylon

¹ Push-to-connect fittings are supplied with tubing support inserts. These inserts must be used to achieve the rated maximum pressure.

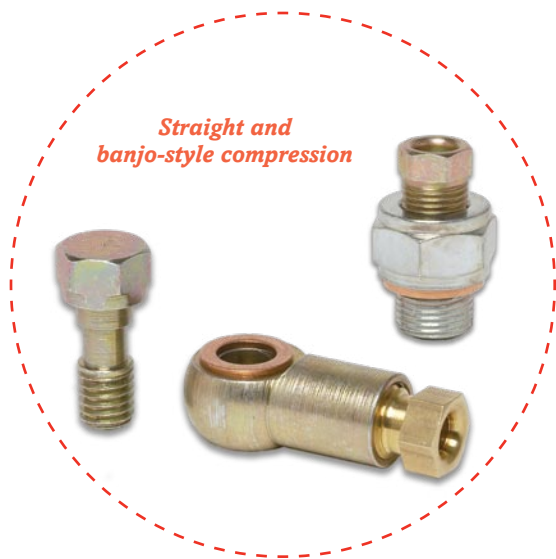
Part numbers: Push-to-connect fittings

Fitting type and size		Part number	32 series	33 series	34 series	35 series	39 series	SureFire PDI
Injector inlet thread M10x1 male	6mm tubing, straight	AR1995	X	X	X			
	6mm tubing, swivel elbow	AR2113	X	X	X			
	6mm tubing, banjo	AR2141	X	X	X			
	8mm tubing, straight	AR2158	X	X	X			
	8mm tubing, swivel elbow	AR2114	X	X	X			
	8mm tubing, banjo	AR2145	X	X	X			
Injector inlet thread M12x1 male	6mm tubing, straight	AR2052				X	X	
	6mm tubing, elbow	AR1988				X	X	
	6mm tubing, banjo	AR2142				X	X	
	8mm tubing, straight	AR2019				X	X	
	8mm tubing, elbow	AR2115				X	X	
	8mm tubing, banjo	AR2146				X	X	
	10mm tubing, elbow	AR2117				X	X	
	12mm tubing, straight	AR2058				X	X	
	12mm tubing, elbow	AR2118				X	X	
Lubricator outlet thread G1/4 BSP male	6mm tubing, straight	AR1983						X
	6mm tubing, swivel elbow	AR2089						X
	8mm tubing, straight	AR2013						X
	8mm tubing, swivel elbow	AR2091						X
	10mm tubing, straight	AR1725						X
	10mm tubing, swivel elbow	AR2093						X
	12mm tubing, straight	AR2043						X
	12mm tubing, swivel elbow	AR2095						X
Tee fittings	6x6 for main line	34821	X	X	X	X	X	
	8x8 for main line	34822	X	X	X	X	X	
	10x10 for main line	34823	X	X	X	X	X	
	12x12 for main line	34824	X	X	X	X	X	
Union	6x6	34966						
	8x8	34967						
	10x10	34968						
	12x12	34969						

Each fitting requires 1 copper sealing washer to complete connection (see chart on page 11).

Compression fittings

The SureFire PDI centralized lubrication system also features many compression fittings and accessories that let you maximize the effectiveness of the system. From straight connectors to bushings, these options also meet the highest Bijur manufacturing standards. If compression is your fitting of choice, just choose the appropriate part number from the chart.



Specifications: Compression fittings

Max operating pressure of fitting	207 bar (3000 psi) at 20°C (68°F)
Seals	Metal
Recommended tubing material	Metal or nylon

Part numbers: Compression fittings

Fitting type and size		Part number	32 series	33 series	34 series	35 series	39 series	SureFire PDI
M10x1 male thread	6mm tubing, straight	AR426	X	X	X			
	6mm tubing, elbow	AR904	X	X	X			
	6mm tubing, banjo	AR1021	X	X	X			
	8mm tubing, straight	AR1028	X	X	X			
	8mm tubing, swivel elbow	AR617	X	X	X			
	8mm tubing, banjo	AR1029	X	X	X			
M12x1 male thread	6mm tubing, straight	AR1026				X	X	
	6mm tubing, banjo	AR1022				X	X	
	8mm tubing, straight	AR1027				X	X	
	8mm tubing, banjo	AR1023				X	X	
M14x1.5 thread	8mm tubing, straight	AR1280	X					
	8mm tubing, banjo	AR1033	X					
	10mm tubing, straight	AR1417	X					
	10mm tubing, banjo	AR553	X					
	12mm tubing, straight	AR1281	X					
Pump outlet fittings (G1/4 BSPP)	6mm tubing, straight (G1/4)	AR397						X
	6mm tubing, elbow (R1/4)	AR961						X
	6mm tubing, banjo	AR1032						X
	8mm tubing, straight (G1/4)	AR384						X
	8mm tubing, elbow (R1/4)	AR794						X
	8mm tubing, banjo	AR982						X
	10mm tubing, straight (G1/4)	AR385						X
	10mm tubing, elbow (R1/4)	AR157						X
	10mm tubing, banjo	AR983						X
	12mm tubing, straight (G1/4)	AR790						X
	1/4" OD tubing, straight	B10176-4						X
	5/16" OD tubing, straight	B10176-5						X
	3/8" OD tubing, straight	B10176-6						X
Copper washer	M8	20913-9	X					
	M10	20913-1	X	X	X			
	M12	20913-3				X	X	
	M14	35010	X					
	1/4 BSPP	35010						X
Tee fittings	6x6x6 for main line	35004	X	X	X	X	X	
	8x8x8 for main line	35005	X	X	X	X	X	
	10x10x10 for main line	35148	X	X	X	X	X	
	12x12x12 for main line	35149	X	X	X	X	X	

Each fitting requires 1 copper sealing washer to complete connection.

Accessories

Part numbers: Accessories

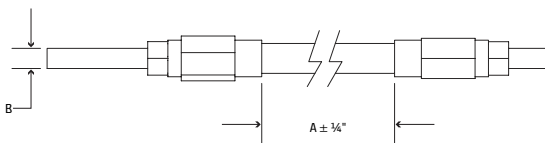
	Fitting size and type	Part number	32 series	33 series	34 series	35 series	39 series	SureFire PDI
Nylon tubing	4mm OD (2.7mm ID), 21 bar (300 psi) maximum operating pressure at 20°C	5N25	X	X	X	X	X	X
	6mm OD (4mm ID) 35 bar (500 psi) maximum operating pressure at 20°C	35006	X	X	X	X	X	X
	8mm OD (5mm ID), 35 bar (500 psi) maximum operating pressure at 20°C	35007	X	X	X	X	X	X
	10mm OD (7.5mm ID), 28 bar (400 psi) maximum operating pressure at 20°C	34825	X	X	X	X	X	X
	12mm OD (9mm ID), 25 bar (360 psi) maximum operating pressure at 20°C	34826				X	X	X
Copper tubing	4mm OD (2mm ID)	5C25	X					
	6mm OD (4mm ID)	21431-6	X	X	X	X	X	X
	8mm OD (6mm ID)	10C8	X	X	X	X	X	X
	10mm OD	21431-10	X	X	X	X	X	X
Closure plug	M8x1	15322	X					
	M10x1 ¹	27450	X	X	X			
	M12x1 ¹	35008				X	X	
	M14x1.5 ¹	34773	X					
	1/4 BSPP ¹	35009						X
Tubing clip	4mm OD, 1 tube	A2435	X	X	X	X	X	X
	4mm OD, 2 tubes	B3539	X	X	X	X	X	X
	4mm OD, 3-5 tubes	B7535	X	X	X	X	X	X
	6mm OD, 1 tube	B6537	X	X	X	X	X	X
	8mm OD, 1 tube	35011	X	X	X	X	X	X
	10mm OD, 1 tube	B6508	X	X	X	X	X	X
	12mm OD, 1 tube	U301E1	X	X	X	X	X	X
Adapters	M10x1 male to 1/8 NPT female ¹	B10279-1	X	X	X			
	M12x1 male to 1/8 NPT female ¹	B10279-2				X	X	
	G1/4 BSPP male to 1/8 NPT female ¹	B10279-7						X
Tubing inserts	Insert for nylon tubing with 4mm OD (2.7mm ID)	19268	X	X	X	X	X	
	Insert for nylon tubing with 6mm OD (4mm ID)	34836	X	X	X	X	X	
	Insert for nylon tubing with 8mm OD (5mm ID)	34837	X	X	X	X	X	
	Insert for nylon tubing with 10mm (7.5mm ID)	34838	X	X	X	X	X	
	Insert for nylon tubing with 12mm (9mm ID)	34839	X	X	X	X	X	
Straight nipple	M8x1 ¹ (close [no hex])	34957	X	X	X	X	X	
	M8x1 ¹ (with hex)	15822	X	X	X	X	X	
	M10x1 ¹ (close [no hex])	34958	X	X	X	X	X	
	M12x1 ¹ (close [no hex])	34959	X	X	X	X	X	

¹Requires copper washer to complete tube connection

Flexible Hose Assemblies

To assemble the hose coupling to the flexible hose, use the following procedure:

1. Thread item 2 onto the outside diameter of item 1 (flex hose) by holding the hose with pliers and turning item 2 **counterclockwise**. Assembly may be easier by initially applying some lubricant to the outside of the hose. Turn item 2 until it bottoms out on the tube end. Be careful not to damage the hose with the pliers.
2. Holding item 2 with a wrench on the hex flats, thread item 3 into the hole of item 2 by turning item 3 **clockwise**. Turn item 3 until it bottoms out tight on item 2.



Hose assemblies: Tube ends

Part number		Hose length A		Tube end B	
6MM	8MM	6MM	8MM	6MM	8MM
34971-8	34972-8	8" (203mm)	8" (203mm)	6mm OD	8mm OD
34971-10	34972-10	10" (254mm)	10" (254mm)	6mm OD	8mm OD
34971-12	34972-12	12" (304mm)	12" (304mm)	6mm OD	8mm OD
34971-14	34972-14	14" (355mm)	14" (355mm)	6mm OD	8mm OD
34971-16	34972-16	16" (406mm)	16" (406mm)	6mm OD	8mm OD
34971-18	34972-18	18" (457mm)	18" (457mm)	6mm OD	8mm OD
34971-20	34972-20	20" (508mm)	20" (508mm)	6mm OD	8mm OD
34971-22	34972-22	22" (558mm)	22" (558mm)	6mm OD	8mm OD
34971-24	34972-24	24" (609mm)	24" (609mm)	6mm OD	8mm OD
34971-26	34972-26	26" (660mm)	26" (660mm)	6mm OD	8mm OD
34971-28	34972-28	28" (711mm)	28" (711mm)	6mm OD	8mm OD

Specifications: Hose assemblies

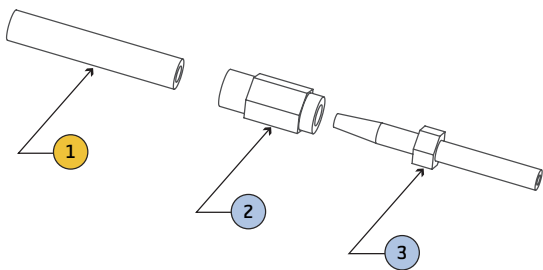
Material	Braided polyester hose with zinc plated steel tube ends
Burst Pressure	840 bar (12,180 psi)
Max Operating Pressure	200 bar (2,900 psi)
Allowable Temperatures	-40°C to 100°C (-40°F to 212°F)
Minimum Bend Radius	50mm (2")

Tube ends to be used with compression fittings, not recommended for use with push to connect fittings.
NOTE: Special hose assemblies available upon request. Hose and tube ends can be ordered separately.



Important!

In PDI systems going to 25-35 bar, tubing inserts should be used at every nylon tube connection.



Ordering Info: Hose and tube ends

Item #	Part #	Description
1	34962	Hose, for 6mm tube ends - 4.1mm ID X 8.3mm OD ¹
1	34964	Hose, for 8mm tube ends - 4.8mm ID X 12.8mm OD ¹
2&3	34963	6mm tube end ²
2&3	34965	8mm tube end ²

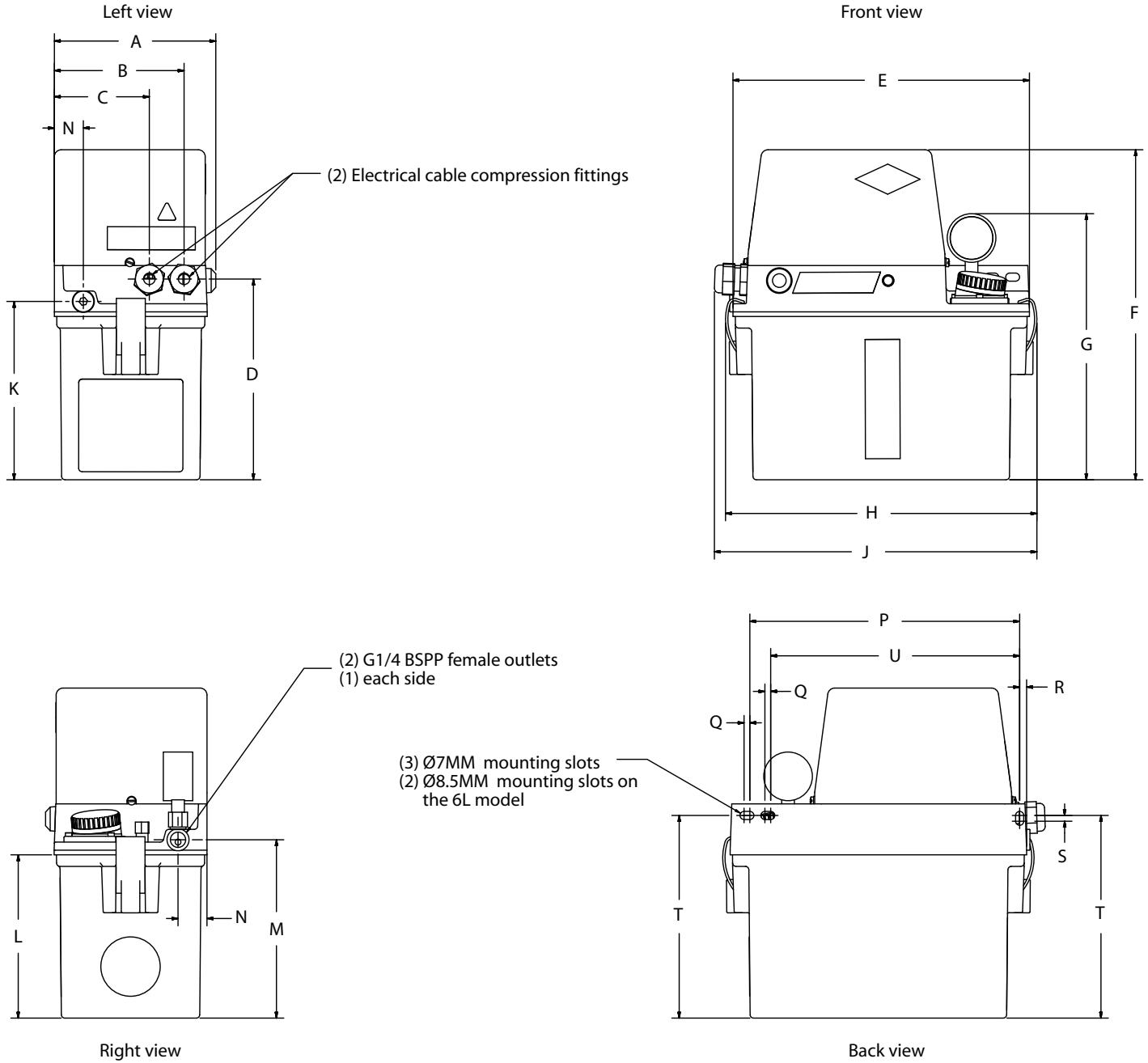
¹ Order by the foot, minimum hose length is 10 feet.

² Items 2 & 3 come together as a set when ordered as p/n 34963 (6mm dia end) or 34965 (8mm dia end).

Dimensions

SureFire PDI 1.8L, 2.7L & 6.0L (115VAC, 230VAC and 24VDC single phase)

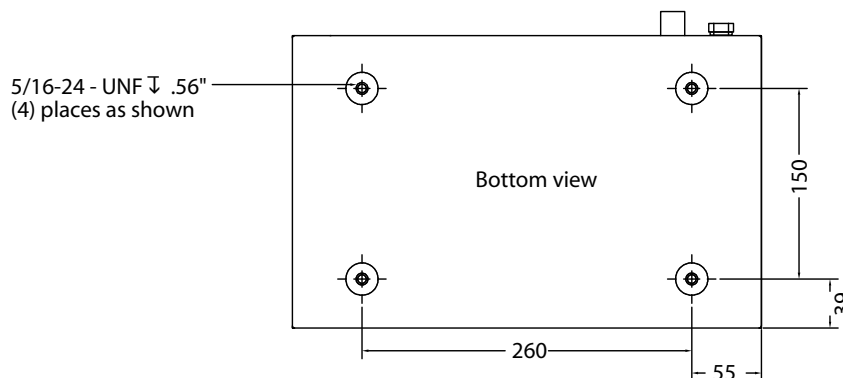
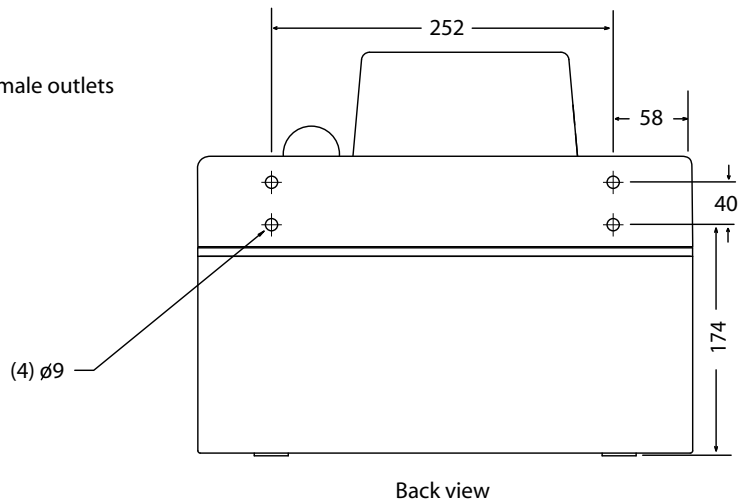
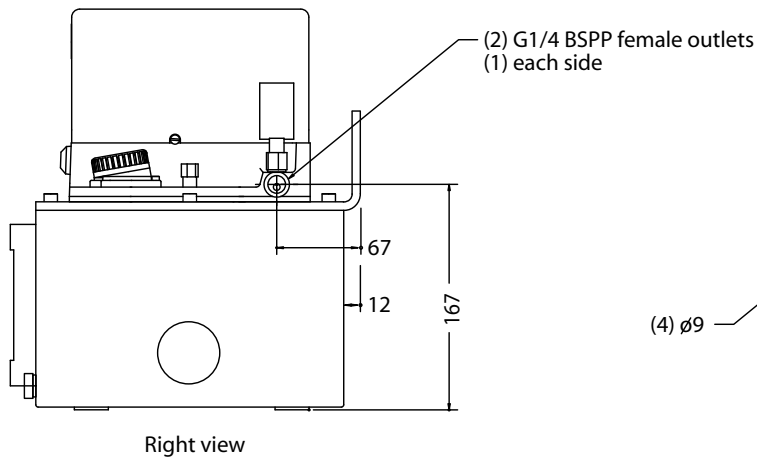
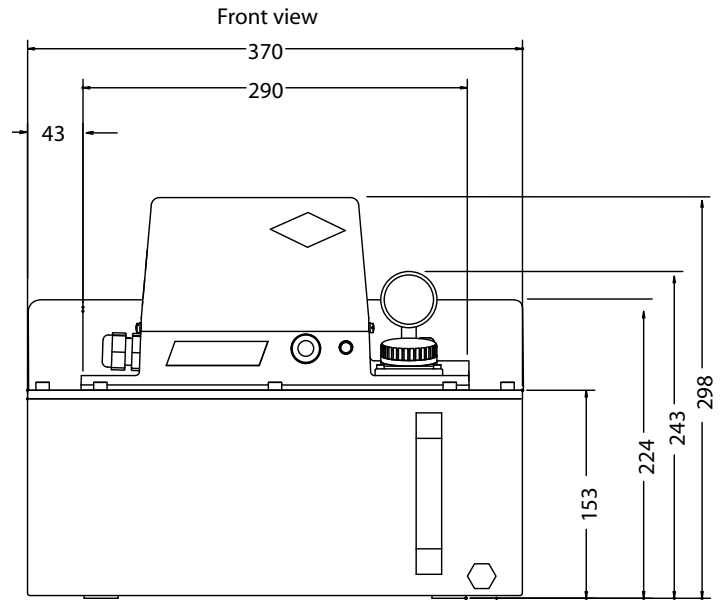
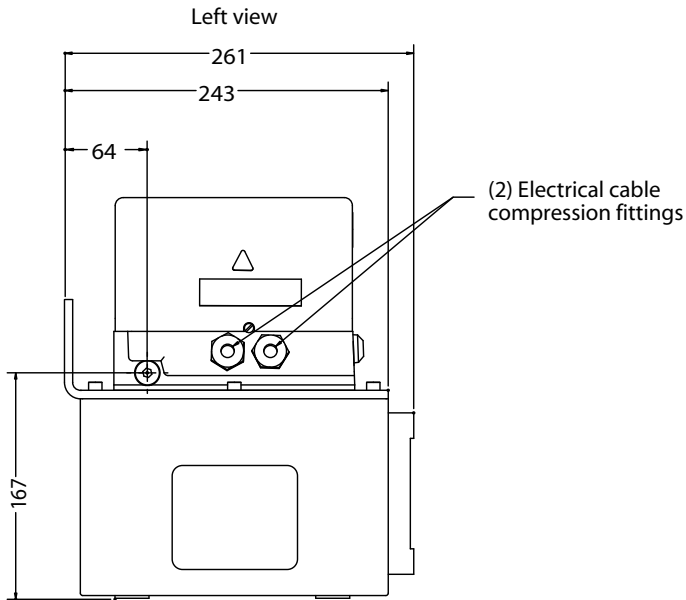
NOTE: All dimensions shown in millimeters.



SureFire PDI reference	A	B	C	D	E	F	G	H	J	K	L	M	N	P	Q	R	S	T	U
1.8L	136	114	82	174	170	285	230	183	204	154	141	154	25	153	5	6	5	175	N/A
2.7L	139	114	82	174	256	285	230	269	279	154	141	154	25	233	5	6	5	175	215
6.0L	186	117	85	204	290	318	264	303	N/A	187	174	187	25	220	5	35	5	209	N/A

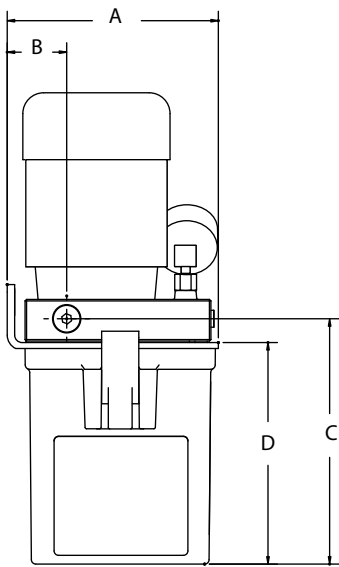
SureFire SLR 12.0L (115VAC, 230VAC and 24VDC single phase)

NOTE: All dimensions shown in millimeters.

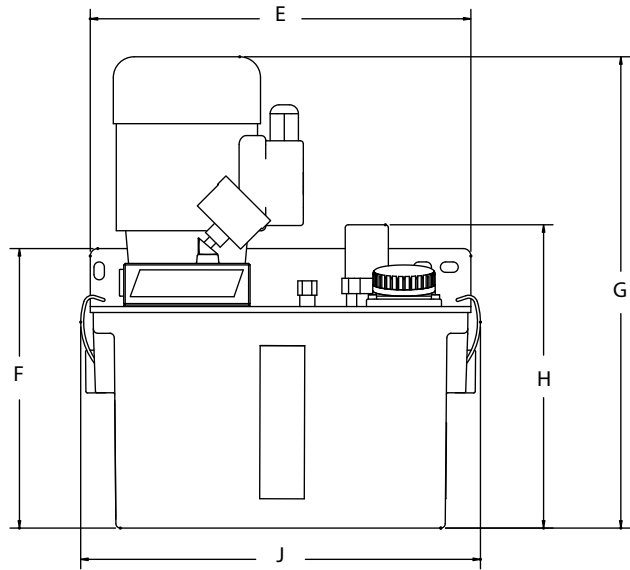


SureFire PDI 1.8L, 2.7L & 6.0L (230/480VAC, three phase)

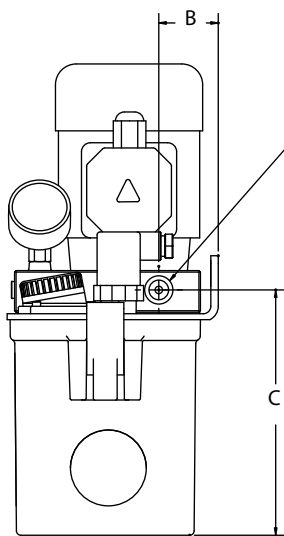
NOTE: All dimensions shown in millimeters.



Left view



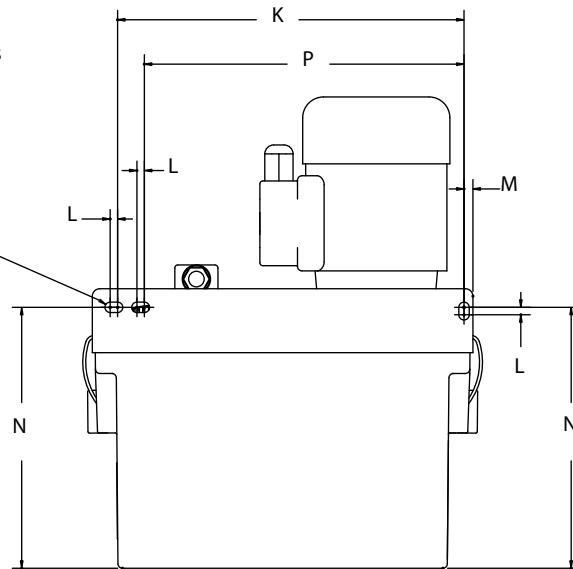
Front view



Right view

(2) G1/4 BSPP female outlets
(1) each side

(3) Ø7MM mounting slots
(2) Ø8.5MM mounting slots
on the 6L model

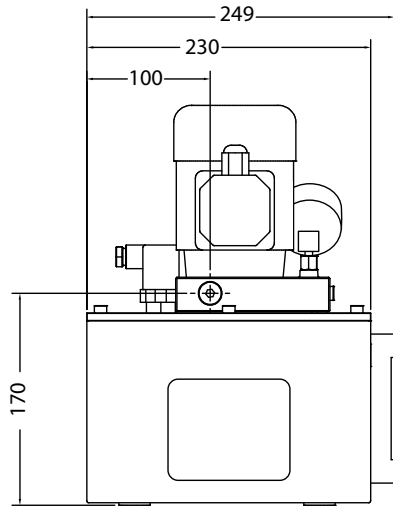


Back view

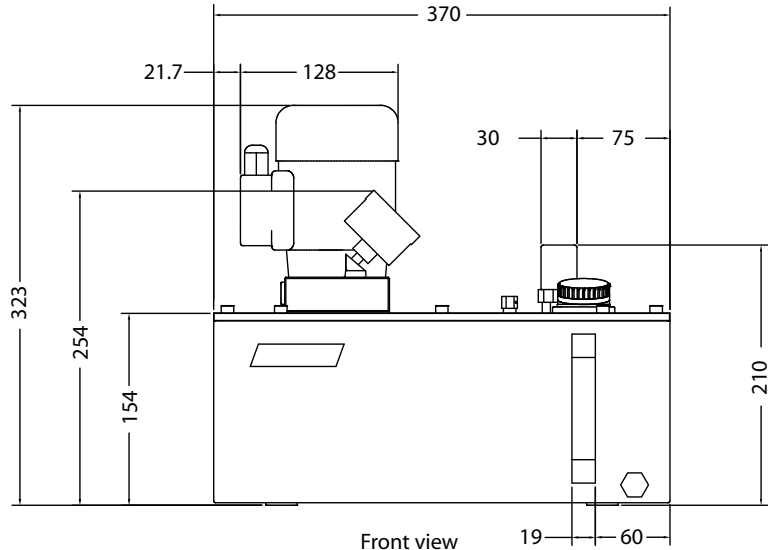
SureFire PDI reference	A	B	C	D	E	F	G	H	J	K	L	M	N	P
1.8L	135	36	163	149	170	188	317	202	183	153	5	6	175.5	N/A
2.7L	144	45	163	149	256	188	317	202	269	233	5	6	175.5	215
6.0L	190	48	196	182	290	221	350	237	303	220	5	35	209	N/A

SureFire SLR 12.0L (230/480VAC, three phase)

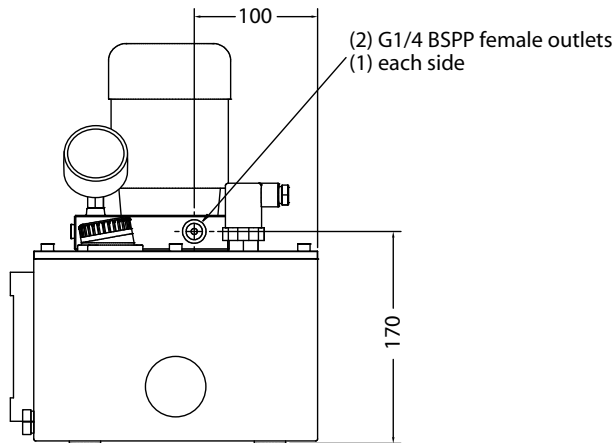
NOTE: All dimensions shown in millimeters.



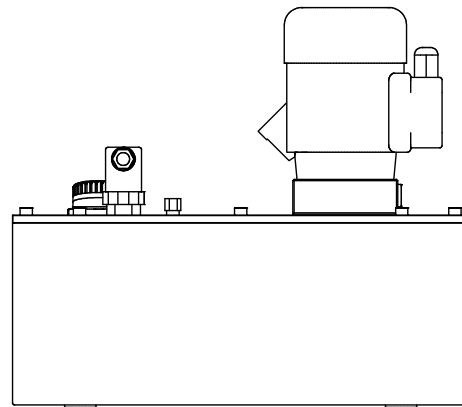
Left view



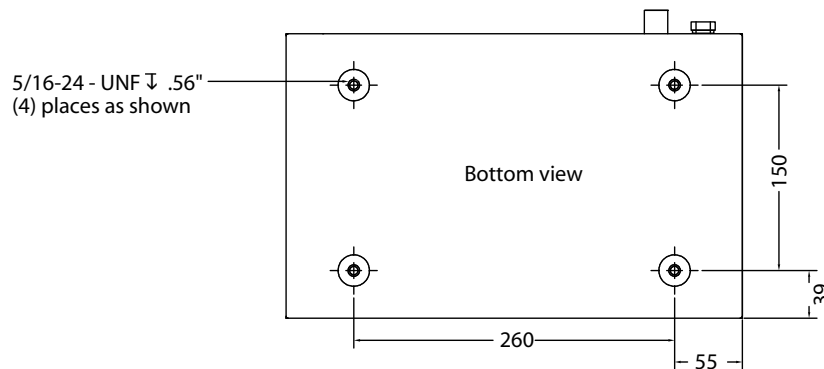
Front view



Right view



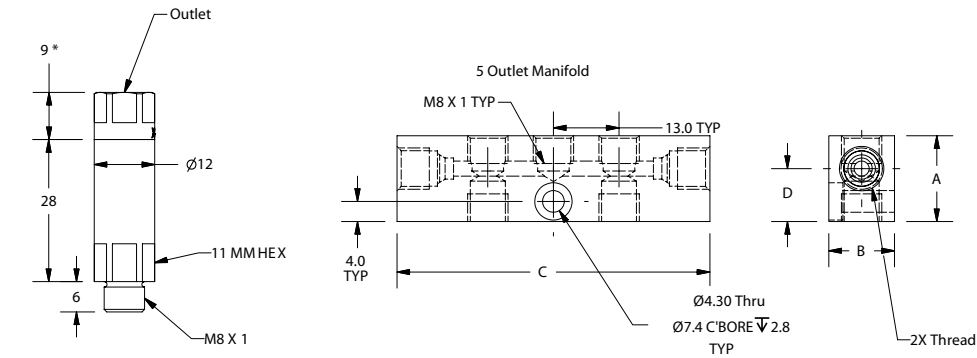
Back view



Bottom view

ZEM 32 Series injectors and manifolds

NOTE: ZEM 32 Series injectors and manifolds are purchased separately.
All dimensions shown in millimeters.

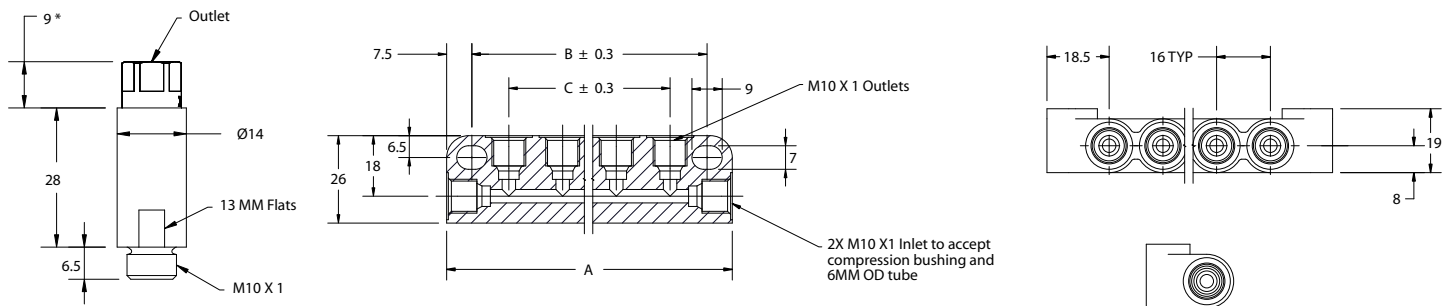


* 13 for push-to-connect outlets

Part #	# of lube points	Main line tube diameter	Inlet thread	Outlet thread	A (mm)	B (mm)	C (mm)	D (mm)
22564	1	4mm	M8x1	M8x1	N/A	N/A	N/A	N/A
34539-1	2	4mm	M8x1	M8x1	17.0	13.0	49.0	10.5
34539-2	2	6mm	M10x1	M8x1	17.0	13.0	52.0	10.5
34539-3	2	8mm	M14x1.5	M8x1	20.0	18.0	61.0	11.0
34540-1	3	4mm	M8x1	M8x1	17.0	13.0	62.0	10.5
34540-2	3	6mm	M10x1	M8x1	17.0	13.0	65.0	10.5
34540-3	3	8mm	M14x1.5	M8x1	20.0	18.0	74.0	11.0
34541-1	5	4mm	M8x1	M8x1	17.0	13.0	62.0	10.5
34541-2	5	6mm	M10x1	M8x1	17.0	13.0	65.0	10.5
34541-3	5	8mm	M14x1.5	M8x1	20.0	18.0	74.0	11.0

ZEM 33 Series injectors and manifolds

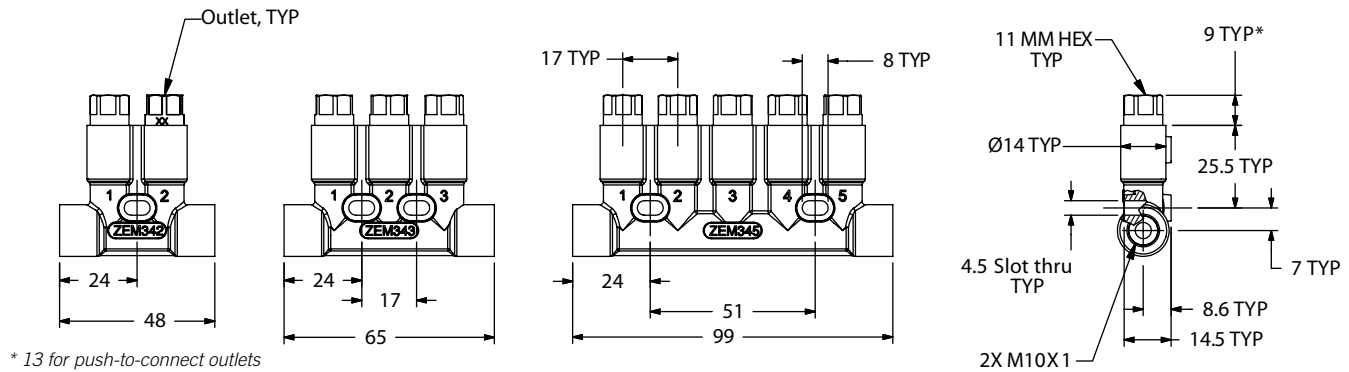
NOTE: ZEM 33 Series injectors and manifolds are purchased separately.
All dimensions shown in millimeters.



* 13 for push-to-connect outlets

Part #	# of lube points	Main line tube diameter	Inlet thread	Outlet thread	A (mm)	B ± 0.3 (mm)	C ± 0.3 (mm)
31000-4	2	6mm	M10x1	M10x1	53	38	16
31000-5	3	6mm	M10x1	M10x1	69	54	32
31000-6	4	6mm	M10x1	M10x1	85	70	48
31000-7	5	6mm	M10x1	M10x1	101	86	64
31000-8	6	6mm	M10x1	M10x1	117	102	80
31000-9	7	6mm	M10x1	M10x1	133	118	96
31000-10	8	6mm	M10x1	M10x1	149	134	112

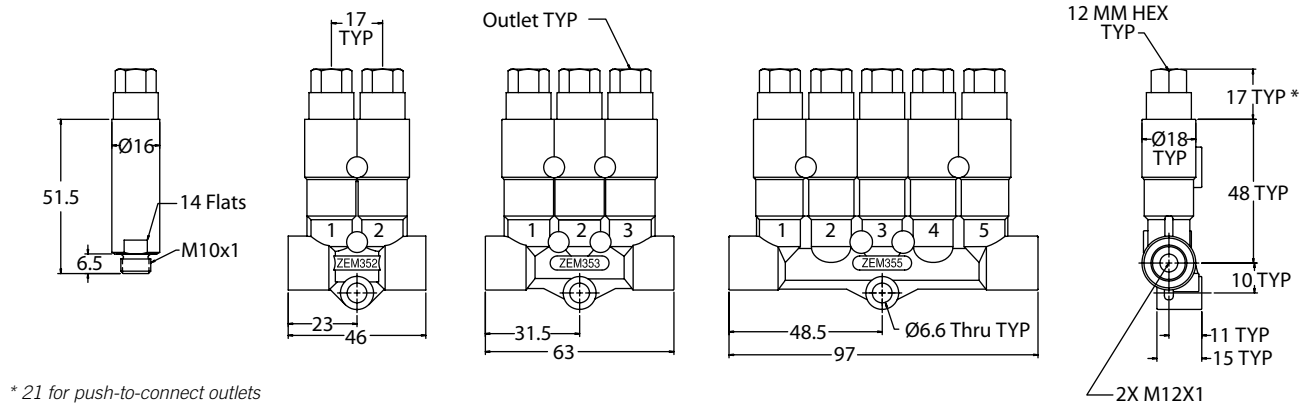
ZEM 34 Series injectors



* 13 for push-to-connect outlets

ZEM 35 Series injectors

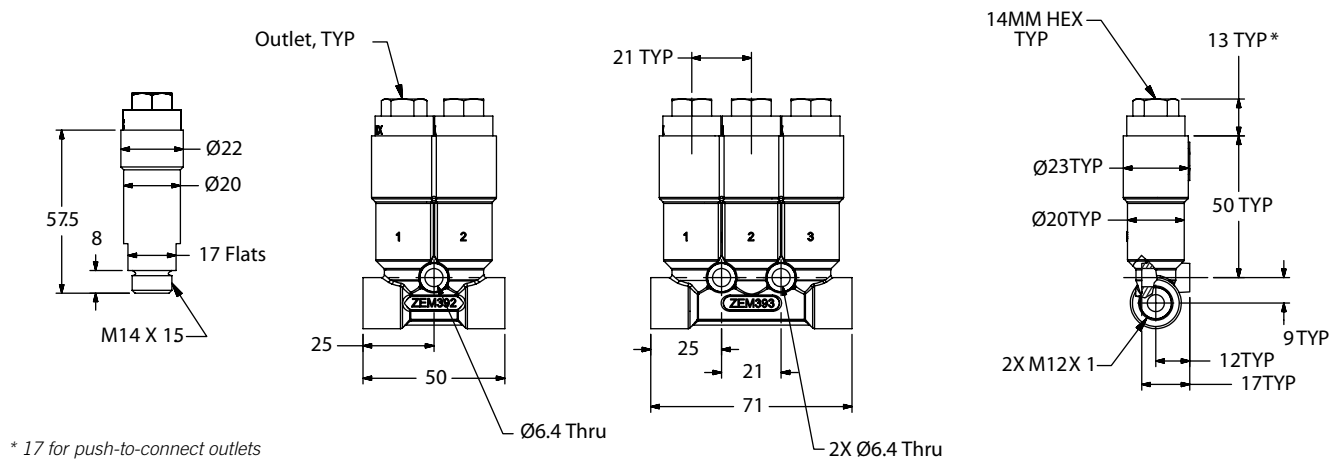
NOTE: ZEM 35 Series injectors with one outlet can be used with tee fittings.
Order part number **73462-3443**.



* 21 for push-to-connect outlets

ZEM 39 Series injectors

NOTE: ZEM 39 Series injectors with one outlet can be used with tee fittings.
Order part number **34547**.



* 17 for push-to-connect outlets

Innovators of engineered lubrication technology since 1923



Sometimes you know what kind of lubrication system you need. Sometimes you don't. Bijur has experienced regional sales managers that can walk you through the process of selecting a system that fits your needs when you aren't sure. And when you need additional parts for the system, our trained customer service representatives can help you choose genuine Bijur parts that can generally be shipped to you within 24 hours.

Bijur also has ISO 9001:2000 quality certified manufacturing facilities around the world, so you'll know your centralized lubrication system meets the highest industry quality standards. It's all part of the Bijur commitment to quality and customer service.



CORPORATE HEADQUARTERS:

Bijur Delimon International
808 Aviation Parkway, Suite 1400
Morrisville, NC 27560



BIJUR LUBRICATING CORPORATION:

1-800-631-0168

YOUR LOCAL DISTRIBUTOR:

©Copyright 2006. All rights reserved. Bijur and Bijur logo are registered trademarks of Bijur Lubricating Corp. in the United States, other countries or both. Other company's trademarks are held by the individual company.